

FOR MESSRS : _____

DATE: Mar.22nd,2024

CUSTOMER'S ACCEPTANCE SPECIFICATIONS

TX18D210VM0BAA



Contents

No.	ITEM	SHEET No.	PAGE
1	COVER	7B64PS 2701-TX18D210VM0BAA-6	1-1/1
2	RECORD OF REVISION	7B64PS 2702-TX18D210VM0BAA-6	2-1/1~2/2
3	GENERAL DATA	7B64PS 2703-TX18D210VM0BAA-6	3-1/1
4	ABSOLUTE MAXIMUM RATINGS	7B64PS 2704-TX18D210VM0BAA-6	4-1/1
5	ELECTRICAL CHARACTERISTICS	7B64PS 2705-TX18D210VM0BAA-6	5-1/2~2/2
6	OPTICAL CHARACTERISTICS	7B64PS 2706-TX18D210VM0BAA-6	6-1/2~2/2
7	BLOCK DIAGRAM	7B64PS 2707-TX18D210VM0BAA-6	7-1/1
8	RELIABILITY TESTS	7B64PS 2708-TX18D210VM0BAA-6	8-1/1
9	LCD INTERFACE	7B64PS 2709-TX18D210VM0BAA-6	9-1/6~6/6
10	OUTLINE DIMENSIONS	7B64PS 2710-TX18D210VM0BAA-6	10-1/2~2/2
11	APPEARANCE STANDARD	7B64PS 2711-TX18D210VM0BAA-6	11-1/3~3/3
12	PRECAUTIONS	7B64PS 2712-TX18D210VM0BAA-6	12-1/2~2/2
13	DESIGNATION OF LOT MARK	7B64PS 2713-TX18D210VM0BAA-6	13-1/1

ACCEPTED BY: _____

PROPOSED BY: *Alex Lee*

2. RECORD OF REVISION

DATE	SHEET No.	SUMMARY																								
Jan.7,'20	7B64PS 2703 – TX18D210VM0BAA-2 Page 3-1/1	3.1 DISPLAY FEATURES Revised : Power Consumption 3.12W → 4.68W																								
	7B64PS 2705 – TX18D210VM0BAA-2 Page 5-2/2	5.2 BACKLIGHT CHARACTERISTICS Revised <table border="1" style="margin-left: auto; margin-right: auto;"> <thead> <tr> <th>Item</th> <th>Condition</th> <th>Typ.</th> <th>Max.</th> </tr> </thead> <tbody> <tr> <td>LED Forward Current</td> <td>0V;0%duty</td> <td>260</td> <td>310</td> </tr> <tr> <td>LED Lifetime</td> <td>I_{LED}=260mA</td> <td>70K</td> <td>-</td> </tr> </tbody> </table> <p style="text-align: center;">↓</p> <table border="1" style="margin-left: auto; margin-right: auto;"> <thead> <tr> <th>Item</th> <th>Condition</th> <th>Typ.</th> <th>Max.</th> </tr> </thead> <tbody> <tr> <td>LED Forward Current</td> <td>0V;0%duty</td> <td>390</td> <td>430</td> </tr> <tr> <td>LED Lifetime</td> <td>I_{LED}=390mA</td> <td>50K</td> <td>-</td> </tr> </tbody> </table> <p>Note 1 & Note 3 : 260mA → 390mA Added : Note 4 & Note 5</p>	Item	Condition	Typ.	Max.	LED Forward Current	0V;0%duty	260	310	LED Lifetime	I _{LED} =260mA	70K	-	Item	Condition	Typ.	Max.	LED Forward Current	0V;0%duty	390	430	LED Lifetime	I _{LED} =390mA	50K	-
	Item	Condition	Typ.	Max.																						
LED Forward Current	0V;0%duty	260	310																							
LED Lifetime	I _{LED} =260mA	70K	-																							
Item	Condition	Typ.	Max.																							
LED Forward Current	0V;0%duty	390	430																							
LED Lifetime	I _{LED} =390mA	50K	-																							
7B64PS 2706 – TX18D210VM0BAA-2 Page 6-1/2	6. OPTICAL CHARACTERISTICS Revised : <table border="1" style="margin-left: auto; margin-right: auto;"> <thead> <tr> <th>Item</th> <th>Condition</th> <th>Min.</th> <th>Typ.</th> </tr> </thead> <tbody> <tr> <td>Brightness of White</td> <td>I_{LED}=260mA</td> <td>640</td> <td>800</td> </tr> </tbody> </table> <p style="text-align: center;">↓</p> <table border="1" style="margin-left: auto; margin-right: auto;"> <thead> <tr> <th>Item</th> <th>Condition</th> <th>Min.</th> <th>Typ.</th> </tr> </thead> <tbody> <tr> <td>Brightness of White</td> <td>I_{LED}=390mA</td> <td>900</td> <td>1200</td> </tr> </tbody> </table>	Item	Condition	Min.	Typ.	Brightness of White	I _{LED} =260mA	640	800	Item	Condition	Min.	Typ.	Brightness of White	I _{LED} =390mA	900	1200									
Item	Condition	Min.	Typ.																							
Brightness of White	I _{LED} =260mA	640	800																							
Item	Condition	Min.	Typ.																							
Brightness of White	I _{LED} =390mA	900	1200																							
Sep.24,'20	7B64PS 2710 – TX18D210VM0BAA-3 Page 10-2/2	10.2 RAER VIEW Added : Component area																								
May .11,'21	7B64PS 2711 – TX18D210VM0BAA-4 Page 11-2/3	11.2 LCD APPEARANCE SPECIFICATION Revised : <table border="1" style="margin-left: auto; margin-right: auto;"> <thead> <tr> <th></th> <th>Average diameter (mm)</th> <th>Maximum number</th> </tr> </thead> <tbody> <tr> <td rowspan="2">Bubbles on polarizer</td> <td>0.3 < D ≤ 0.5</td> <td>10</td> </tr> <tr> <td>0.5 < D ≤ 1.0</td> <td>5</td> </tr> </tbody> </table> <p style="text-align: center;">↓</p> <table border="1" style="margin-left: auto; margin-right: auto;"> <thead> <tr> <th></th> <th>Average diameter (mm)</th> <th>Maximum number</th> </tr> </thead> <tbody> <tr> <td rowspan="2">Bubbles on polarizer</td> <td>0.3 < D ≤ 0.5</td> <td>12</td> </tr> <tr> <td>0.5 < D</td> <td>Not allowed</td> </tr> </tbody> </table>		Average diameter (mm)	Maximum number	Bubbles on polarizer	0.3 < D ≤ 0.5	10	0.5 < D ≤ 1.0	5		Average diameter (mm)	Maximum number	Bubbles on polarizer	0.3 < D ≤ 0.5	12	0.5 < D	Not allowed								
	Average diameter (mm)	Maximum number																								
Bubbles on polarizer	0.3 < D ≤ 0.5	10																								
	0.5 < D ≤ 1.0	5																								
	Average diameter (mm)	Maximum number																								
Bubbles on polarizer	0.3 < D ≤ 0.5	12																								
	0.5 < D	Not allowed																								
Jan.03,'23	7B64PS 2701 – TX18D210VM0BAA-5 Page 1-1/1	Company logo changed : <div style="display: flex; justify-content: space-around; align-items: center;"> <div style="text-align: center;">  KOE JDI Group <small>Kaohsiung Opto-Electronics Inc.</small> </div> <div style="font-size: 2em;">→</div> <div style="text-align: center;">  JDI <small>Japan Display Inc.</small> </div> </div>																								
	7B64PS 2713 – TX18D210VM0BAA-5 Page 13-1/1																									
	All page		Company name changed: From “KAOHSIUNG OPTO-ELECTRONICS INC.” to “JDI Taiwan Inc. Kaohsiung Branch”																							

2. RECORD OF REVISION

DATE	SHEET No.	SUMMARY						
Mar.22,'24	7B64PS 2709 – TX18D210VM0BAA-6 Page 9-1/6	9.1 INTERFACE PIN CONNECTIONS Connector (CN1) changed FA5S040HP1R3000 made by JAE(Thickness: 0.3±0.05mm) ↓ 60025-4007-5001 made by TOPWISE (FPC: Thickness: 0.3±0.05mm)						
	7B64PS 2713 – TX18D210VM0BAA-6 Page 13-1/1	13. DESIGNATION of LOT MARK Added : <table border="1" data-bbox="619 510 1362 640"> <thead> <tr> <th data-bbox="619 510 780 589">REV.No</th> <th data-bbox="780 510 1155 589">ITEM</th> <th data-bbox="1155 510 1362 589">REMARKS</th> </tr> </thead> <tbody> <tr> <td data-bbox="619 589 780 640">A</td> <td data-bbox="780 589 1155 640">Connector (CN1) changed</td> <td data-bbox="1155 589 1362 640">PCN 1097</td> </tr> </tbody> </table>	REV.No	ITEM	REMARKS	A	Connector (CN1) changed	PCN 1097
REV.No	ITEM	REMARKS						
A	Connector (CN1) changed	PCN 1097						

3. GENERAL DATA

3.1 DISPLAY FEATURES

This module is a 7.0" WVGA of 16:9 format LTPS TFT. The pixel format is vertical stripe and sub pixels are arranged as R(red), G(green), B(blue) sequentially. This display is RoHS compliant, COG (chip on glass) technology and LED backlight are applied on this display.

Part Name	TX18D210VM0BAA
Module Dimensions	167.7(W) mm x 109.5(H) mm x 9.0 (D) mm
LCD Active Area	152.4(W) mm x 91.44(H) mm
Pixel Pitch	0.1905(W) mm x 0.1905 (H) mm
Resolution	800 x 3(RGB)(W) x 480(H) Dots
Color Pixel Arrangement	R, G, B Vertical stripe
LCD Type	Transmissive Color TFT; Normally Black
Display Type	Active Matrix
Number of Colors	262k Colors (6-bit RGB)
Backlight	Light Emitting Diode(LED)
Weight	214 g
Interface	CMOS 40 pins
Power Supply Voltage	3.3V for LCD; 12V for backlight
Power Consumption	0.20W for LCD; 4.68W for backlight
Viewing Direction	Super Wide Version (In-Plane Switching)

4. ABSOLUTE MAXIMUM RATINGS

Item	Symbol	Min.	Max.	Unit	Remarks
Supply Voltage	V _{DD}	-0.3	4.0	V	-
Input Voltage of Logic	V _I	-0.3	V _{DD} +0.3	V	Note 1
Operating Temperature	T _{op}	-40	85	°C	Note 2
Storage Temperature	T _{st}	-40	90	°C	Note 2
Backlight Input Voltage	V _{LED}	-	14	V	-

Note 1: The rating is defined for the signal voltages of the interface such as DE, Hsync, Vsync, CLK and RGB data bus.

Note 2: The maximum rating is defined as above based on the panel chamber temperature, which might be different from ambient temperature after assembling the panel into the application. Moreover, some temperature-related phenomenon as below needed to be noticed:

- Background color, contrast and response time would be different in temperatures other than 25°C.
- Operating under high temperature will shorten LED lifetime.

5. ELECTRICAL CHARACTERISTICS

5.1 LCD CHARACTERISTICS

$T_a = 25\text{ }^\circ\text{C}$, $V_{SS} = 0\text{V}$

Item	Symbol	Condition	Min.	Typ.	Max.	Unit	Remarks
Power Supply Voltage	V_{DD}	-	3.0	3.3	3.6	V	-
Input Voltage of Logic	V_I	"H" level	$0.7V_{DD}$	-	V_{DD}	V	Note 1
		"L" level	V_{SS}	-	$0.3V_{DD}$		
Power Supply Current	I_{DD}	$V_{DD}-V_{SS}$ $\approx 3.3\text{V}$	-	60	120	mA	Note 2
Frame Frequency	f_{Frame}	-	-	60	65	Hz	-
CLK Frequency	f_{CLK}	-	31.5	33.3	36	MHz	-

Note 1: The rating is defined for the signal voltages of the interface such as DE, Hsync, Vsync, CLK and RGB data bus.

Note 2: An all white check pattern is used when measuring I_{DD} , f_{Frame} is set to 60 Hz. Moreover, 1.0A fuse is applied in the module for I_{DD} . For display activation and protection purpose, power supply is recommended larger than 2.5A to start the display and break fuse once any short circuit occurred.

5.2 BACKLIGHT CHARACTERISTICS

$T_a = 25^\circ\text{C}$

Item	Symbol	Condition	Min.	Typ.	Max.	Unit	Remarks
LED Input Voltage	V_{LED}	Backlight Unit	11.0	12.0	13.0	V	Note 1
LED Forward Current	I_{LED}	0V;0%duty	-	390	430	mA	Note 2
		3.3VDC;100%duty	10	20	30		
LED Lifetime	-	$I_{LED}=390\text{mA}$	-	50K	-	hrs	Note 3

Note 1: As Fig. 5.1 shown, LED current is constant, 390 mA, controlled by the LED driver when applying 12V.

Note 2: Dimming function can be obtained by applying DC voltage or PWM signal from the display interface CN1. The recommended PWM signal is 1K ~ 10K Hz with 3.3V amplitude.

Note 3: The estimated lifetime is specified as the time to reduce 50% brightness by applying 390 mA at 25°C .

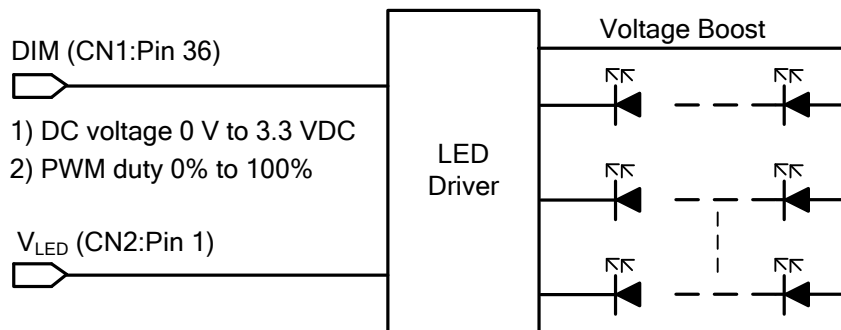


Fig 5.1

Note 4: By applying different I_{LED} , the estimated brightness and LED life time curves are shown as Fig 5.2 and Fig 5.3 for various environment use.

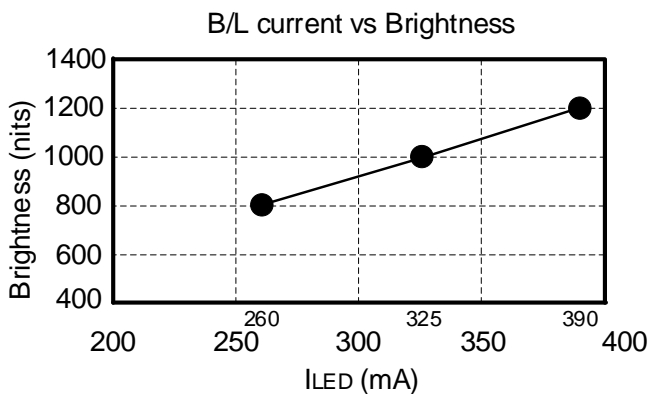


Fig 5.2 LED Current v.s. Brightness

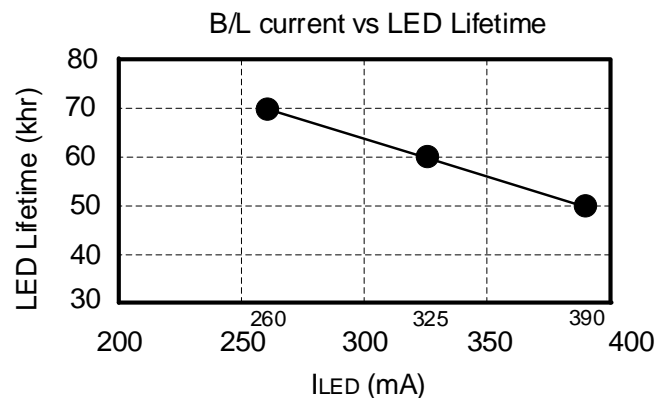


Fig 5.3 LED Current v.s. Lifetime

Note 5: The estimated V_{LED} range is defined to obtain $I_{LED}=390\text{mA}$.

6. OPTICAL CHARACTERISTICS

The optical characteristics are measured based on the conditions as below:

- Supplying the signals and voltages defined in the section of electrical characteristics.
- The backlight unit needs to be turned on for 30 minutes.
- The ambient temperature is 25 °C .
- In the dark room less than 100 lx, the equipment has been set for the measurements as shown in Fig 6.1.

$$T_a = 25 \text{ }^\circ\text{C}, f_{Frame} = 60 \text{ Hz}, V_{DD} = 3.3\text{V}$$

Item	Symbol	Condition	Min.	Typ.	Max.	Unit	Remarks	
Brightness of White	-	$I_{LED} = 390\text{mA}$ $\phi = 0^\circ, \theta = 0^\circ$	900	1200	-	cd/m ²	Note 1	
Brightness Uniformity	-		70	-	-	%	Note 2	
Contrast Ratio	CR		700	1000	-	-	Note 3	
Response Time	Tr + Tf	$\phi = 0^\circ, \theta = 0^\circ$	-	30	40	ms	Note 4	
NTSC Ratio	-	$\phi = 0^\circ, \theta = 0^\circ$	-	70	-	%	-	
Viewing Angle	θ_x	$\phi = 0^\circ, CR \geq 10$	-	85	-	Degree	Note 5	
	$\theta_{x'}$	$\phi = 180^\circ, CR \geq 10$	-	85	-			
	θ_y	$\phi = 90^\circ, CR \geq 10$	-	85	-			
	$\theta_{y'}$	$\phi = 270^\circ, CR \geq 10$	-	85	-			
Color Chromaticity	Red	X	$\phi = 0^\circ, \theta = 0^\circ$	0.60	0.65	0.70	-	Note 6
		Y		0.28	0.33	0.38		
	Green	X		0.27	0.32	0.37		
		Y		0.56	0.61	0.66		
	Blue	X		0.10	0.15	0.20		
		Y		0.01	0.06	0.11		
	White	X		0.27	0.32	0.37		
		Y		0.30	0.35	0.40		

Note 1: The brightness is measured from the center point of the panel, P5 in Fig. 6.2, for the typical value.

Note 2: The brightness uniformity is calculated by the equation as below:

$$\text{Brightness uniformity} = \frac{\text{Min. Brightness}}{\text{Max. Brightness}} \times 100\%$$

which is based on the brightness values of the 9 points in active area measured by BM-5 as shown in Fig. 6.2.

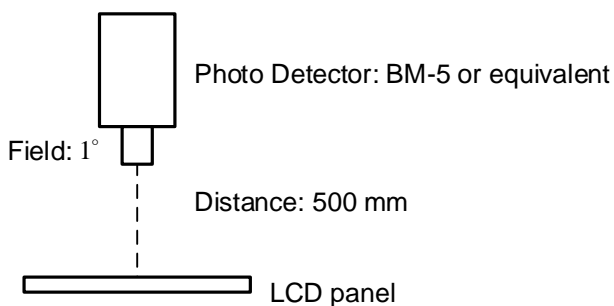


Fig 6.1

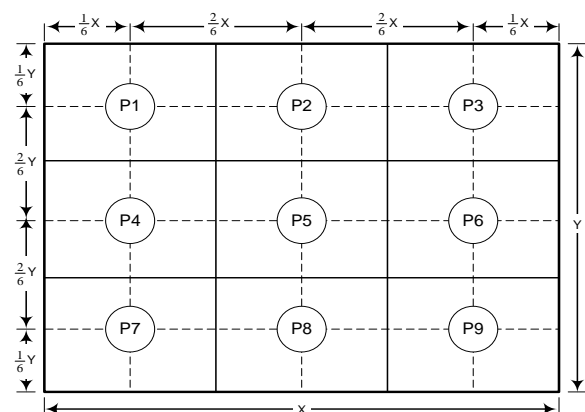


Fig 6.2

Note 3: The Contrast ratio is measured from the center point of the panel, P5, and defined as the following equation:

$$CR = \frac{\text{Brightness of White}}{\text{Brightness of Black}}$$

Note 4: The definition of response time is shown in Fig. 6.3. The rising time is the period from 10% brightness to 90% brightness when the data is from black to white. Oppositely, Falling time is the period from 90% brightness falling to 10% brightness.

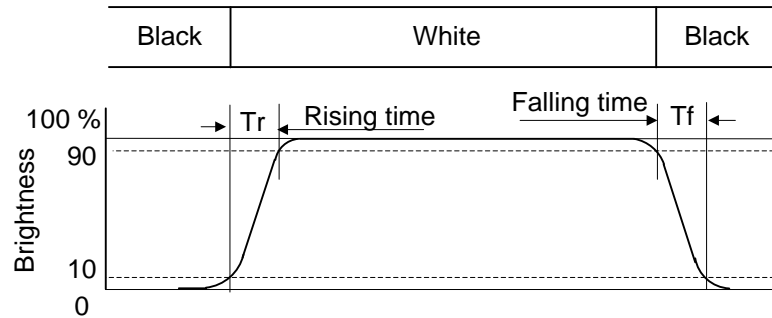


Fig 6.3

Note 5: The definition of viewing angle is shown in Fig. 6.4. Angle ϕ is used to represent viewing directions, for instance, $\phi = 270^\circ$ means 6 o'clock, and $\phi = 0^\circ$ means 3 o'clock. Moreover, angle θ is used to represent viewing angles from axis Z toward plane XY.

The display is super wide viewing angle version, so that the best optical performance can be obtained from every viewing direction.

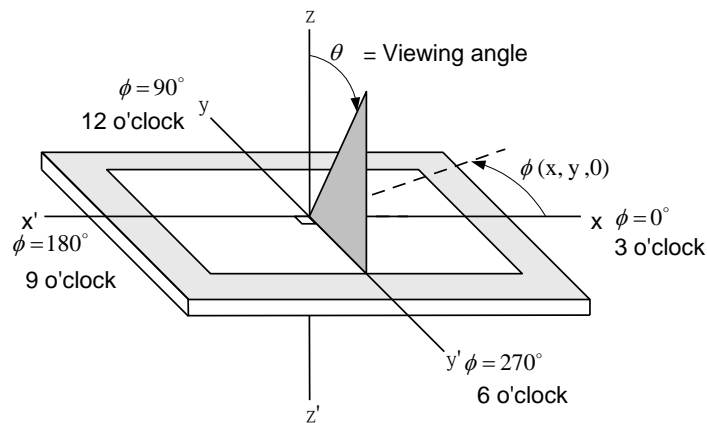
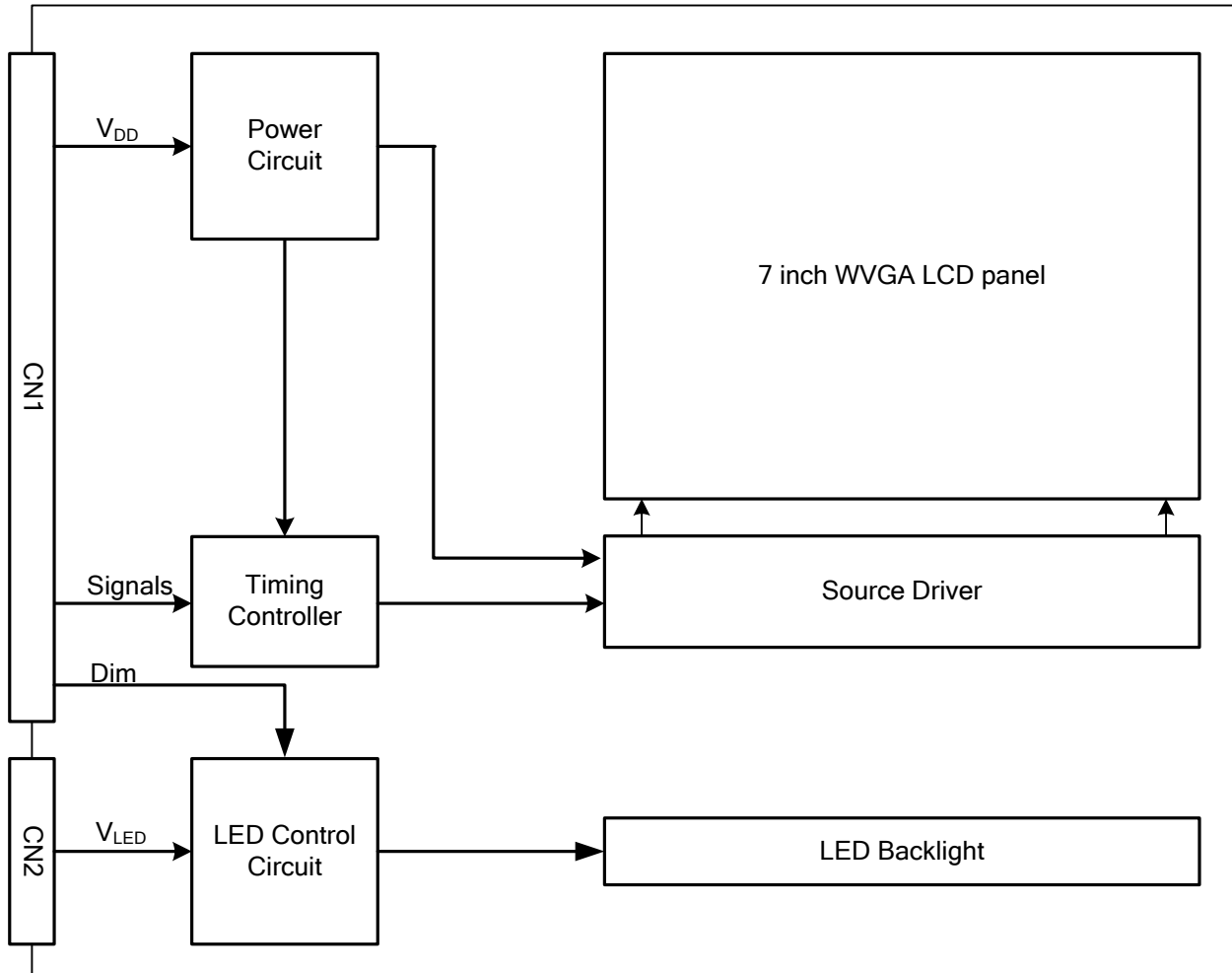


Fig 6.4

Note 6: The color chromaticity is measured from the center point of the panel, P5, as shown in Fig. 6.2.

7. BLOCK DIAGRAM



Note 1: Signals are a DE, Hsync, Vsync, CLK and RGB data bus.

8. RELIABILITY TESTS

Test Item	Condition	
High Temperature	1) Operating 2) 85°C	500 hrs
Low Temperature	1) Operating 2) -40°C	500 hrs
High Temperature	1) Storage 2) 90°C	500 hrs
Low Temperature	1) Storage 2) -40°C	500 hrs
Heat Cycle	1) Operating 2) -40°C ~85°C 3) 3hrs~1hr~3hrs	500 hrs
Thermal Shock	1) Non-Operating 2) -40°C ↔ 85°C 3) 0.5 hr ↔ 0.5 hr	500 hrs
High Temperature & Humidity	1) Operating 2) 60°C & 90%RH 3) Without condensation	500 hrs (Note 3)
Vibration	1) Non-Operating 2) 10~200 Hz 3) 5G 4) X, Y, and Z directions	1 hr for each direction
Mechanical Shock	1) Non-Operating 2) 10 ms 3) 80G 4) ±X, ±Y and ±Z directions	Once for each direction
ESD	1) Operating 2) Tip: 150 pF, 330 Ω 3) Air discharge for glass: ± 12KV 4) Contact discharge for metal frame: ± 15KV	1) Glass: 9 points 2) Metal frame: 8 points (Note4)

Note 1: Display functionalities are inspected under the conditions defined in the specification after the reliability tests.

Note 2: The display is not guaranteed for use in corrosive gas environments.

Note 3: Under the condition of high temperature & humidity, if the temperature is higher than 60°C, the humidity needs to be reduced as Fig. 8.1 shown.

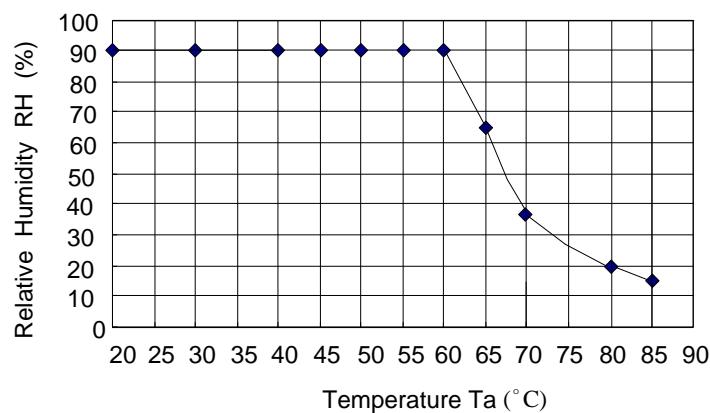


Fig. 8.1

Note 4: All pins of LCD interface (CN1) have been tested by ± 100V contact discharge of ESD under non-operating condition.

9. LCD INTERFACE

9.1 INTERFACE PIN CONNECTIONS

The display interface connector is 60025-4007-5001 made by TOPWISE (FPC: Thickness: $0.3 \pm 0.05\text{mm}$; Pitch: $0.5 \pm 0.05\text{mm}$) and more details of the connector are shown in the section of outline dimension.

Pin assignment of LCD interface is as below:

Pin No.	Signal	Function	Pin No.	Signal	Function
1	V _{DD}	Power Supply for Logic	21	G4	Green Data
2	V _{DD}		22	G3	Green Data
3	UD	Vertical Display mode Control	23	V _{SS}	GND
4	LR	Horizontal Display mode Control	24	G2	Green Data
5	Vsync	Vertical synchronous signal	25	G1	Green Data
6	DE	Data Enable Signal	26	G0	Green Data (LSB)
7	V _{SS}	GND	27	V _{SS}	GND
8	CLK	Dot Clock	28	R5	Red Data (MSB)
9	V _{SS}	GND	29	R4	Red Data
10	Hsync	Horizontal synchronous signal	30	R3	Red Data
11	V _{SS}	GND	31	V _{SS}	GND
12	B5	Blue Data (MSB)	32	R2	Red Data
13	B4	Blue Data	33	R1	Red Data
14	B3	Blue Data	34	R0	Red Data (LSB)
15	V _{SS}	GND	35	V _{SS}	GND
16	B2	Blue Data	36	DIM	Brightness dimming (Note 2)
17	B1	Blue Data	37	NC	No Connection
18	B0	Blue Data (LSB)	38		
19	V _{SS}	GND	39		
20	G5	Green Data (MSB)	40		

Note 1: Please refer to [8.5 SCAN DIRECTION](#) for the setting methods of UD, LR function.

Note 2: Normal brightness: 0V or 100% PWM duty; Brightness control: 0V to 3.3V DC or 0% to 100% PWM duty.

The backlight connector (CN2) is SM02 (8.0)B-BHS-1-TB(LF)(SN), and pin assignment is as below:

Pin No.	Signal	Signal
1	VLED	12VDC
2	GND	Ground

9.2 TIMING CHART

A. SYNCHRONOUS MODE

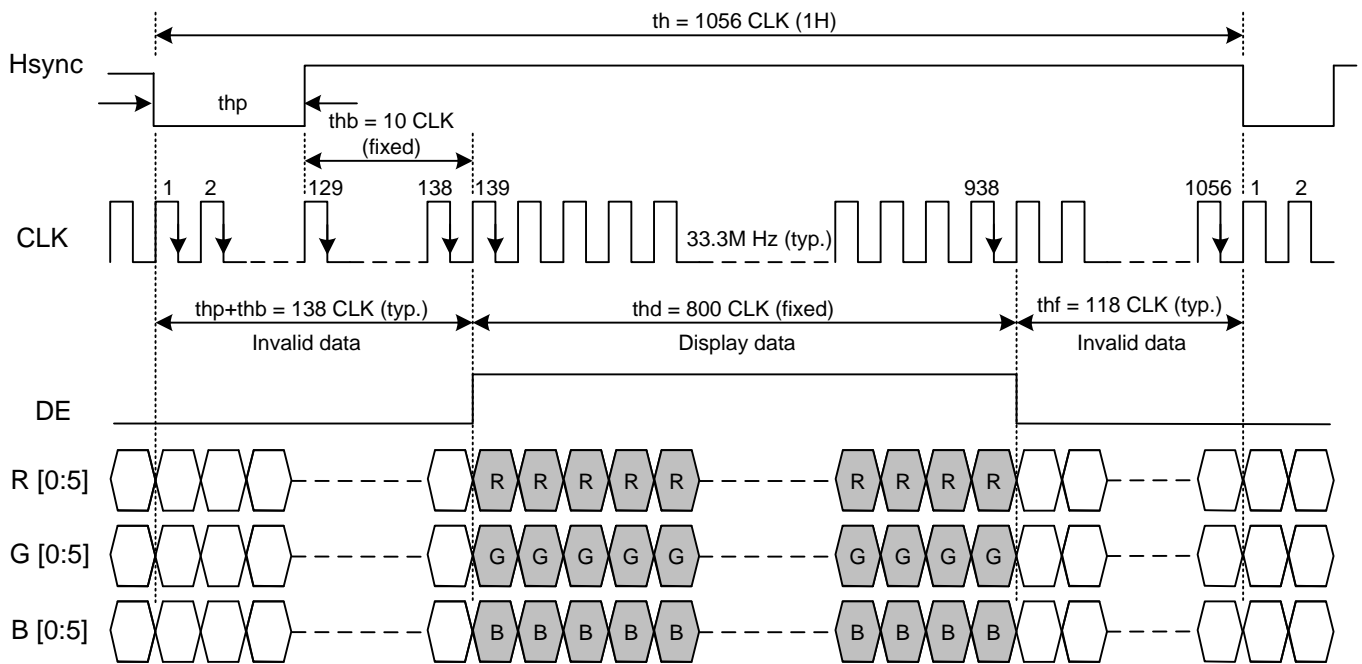


Fig. 9.1 Horizontal Timing

Note 1: CLK's falling edge is the time to latch data and count ($thp + thb$), therefore, data sending and Hsync's falling edge should start when CLK's rise edge

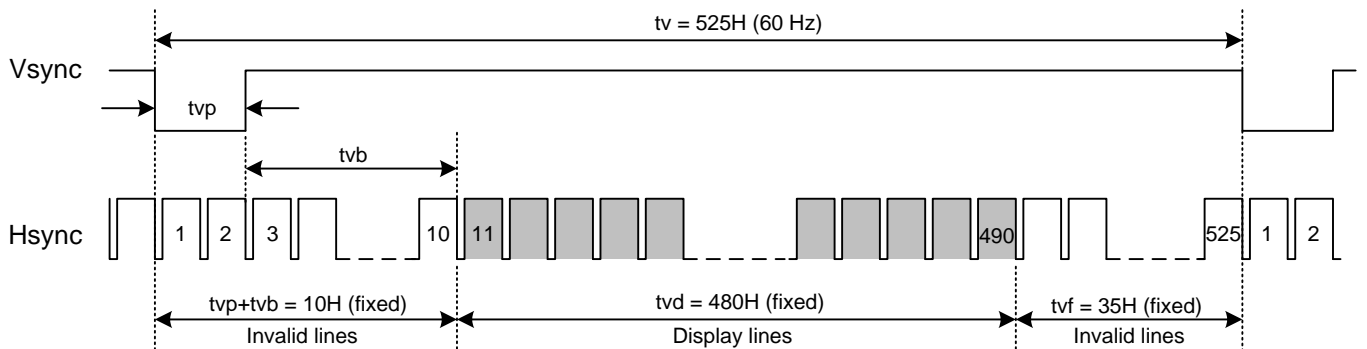


Fig. 9.2 Vertical Timing

Note 2: Vsync's falling edge needs to start with Hsync's falling edge simultaneously to count ($tvp + tvb$).

B. CLOCK AND DATA INPUT TIMING

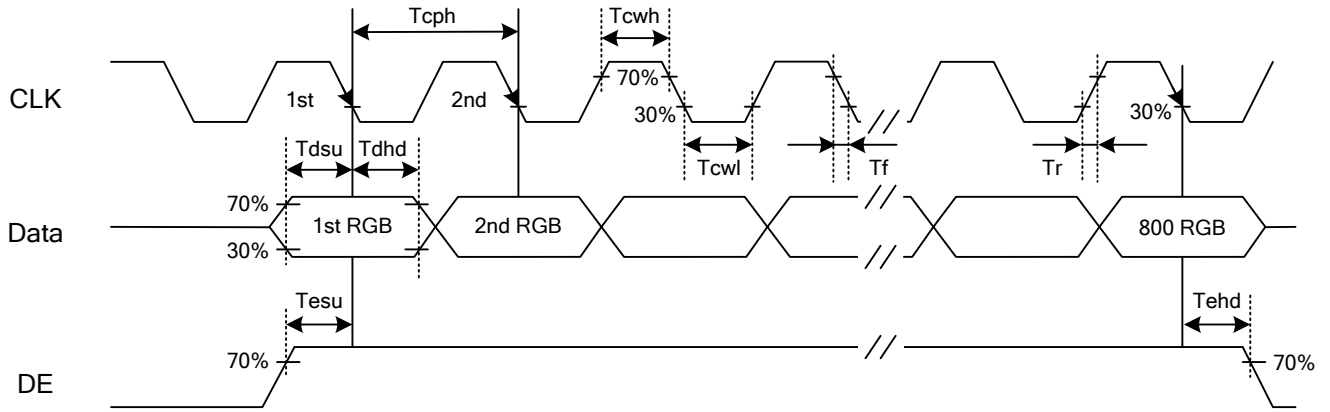


Fig. 9.3 Setup & Hold Time

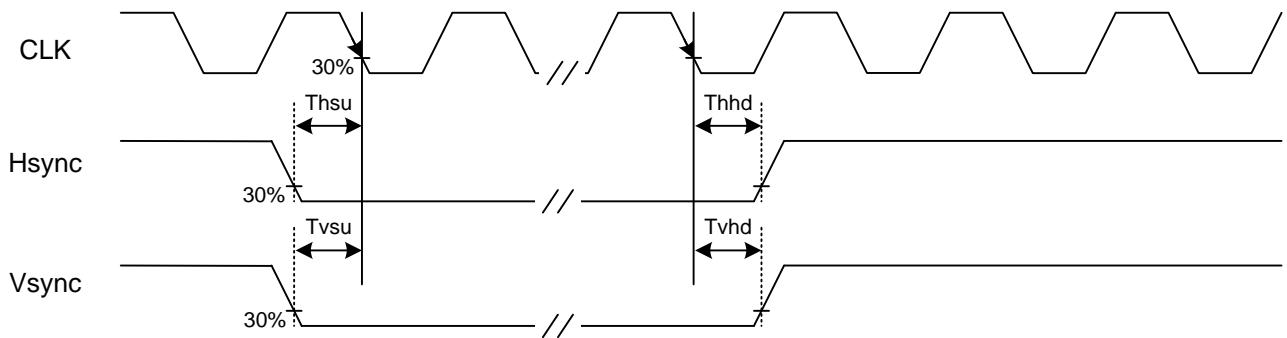


Fig. 9.4 Setup & Hold Time

9.3 TIMING TABLE

The column of timing sets including minimum, typical, and maximum as below are based on the best optical performance, frame frequency $f_{Frame} = 60\text{Hz}$ to define. If 60 Hz is not the aim to set, less than 65 Hz for Vsync is recommended to apply for better performance by other parameter combination as the definitions in section 5.1.

A. SYNCHRONOUS MODE

	Item	Symbol	Min.	Typ.	Max.	Unit
Hsync	CLK Frequency	fclk	29.7	33.3	34.6	M Hz
	Display Data	thd	800			CLK
	Cycle Time	th	1048	1056	1100	
	Pulse Width	thp	10	128	280	
	Back Porch	thb	10	10	280	
	Front Porch	thf	10	118	280	
Vsync	Display Line	tvd	480			H
	Cycle Time	tv	525			
	Pulse Width	tvp	2			
	Back Porch	tvb	8			
	Front Porch	tvf	35			

Note 1: The rise and fall times (tr, tf) of CLK is equal or less than 3ns.

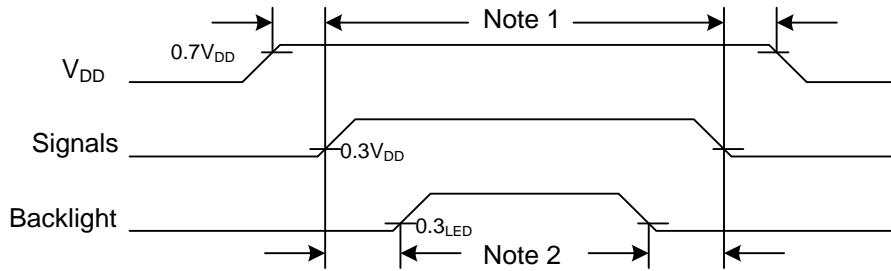
Other signals are equal or less than 10ns.

Note 2: For timing of input signals, they are set using 30% and 70% of V_{DD} as the base reference.

B. CLOCK AND DATA INPUT TIMING

	Item	Symbol	Min.	Typ.	Max.	Unit
CLK	High Time	Tcwh	12	-	-	ns
	Low Time	Tcwl	12	-	-	
Vsync	Setup Time	Tvsu	7	-	-	
	Hold Time	Tvhd	8	-	-	
Hsync	Setup Time	Thsu	8	-	-	
	Hold Time	Thhd	8	-	-	
Data	Setup Time	Tdsu	7	-	-	
	Hold Time	Tdhd	6	-	-	
DE	Setup Time	Tesu	8	-	-	
	Hold Time	Tehd	8	-	-	

9.4 POWER SEQUENCE

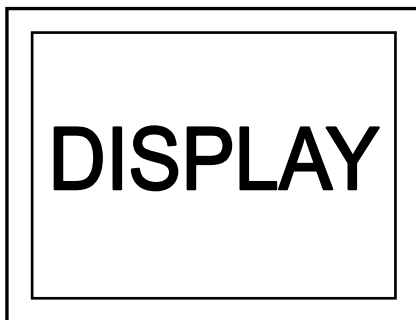


Note 1: In order to avoid any damages, V_{DD} has to be applied before all other signals. The opposite is true for power off where V_{DD} has to be remained on until all other signals have been switch off. The recommended time period is 1 second.

Note 2: In order to avoid showing uncompleted patterns in transient state. It is recommended that switching the backlight on is delayed for 1 second after the signals have been applied. The opposite is true for power off where the backlight has to be switched off 1 second before the signals are removed.

9.5 SCAN DIRECTION

Scan direction is available to be switched as below by setting CN1's UD & LR pin.



UD : L or Open ; LR : L or Open



UD : L or Open ; LR : H



UD : H ; LR : L or Open



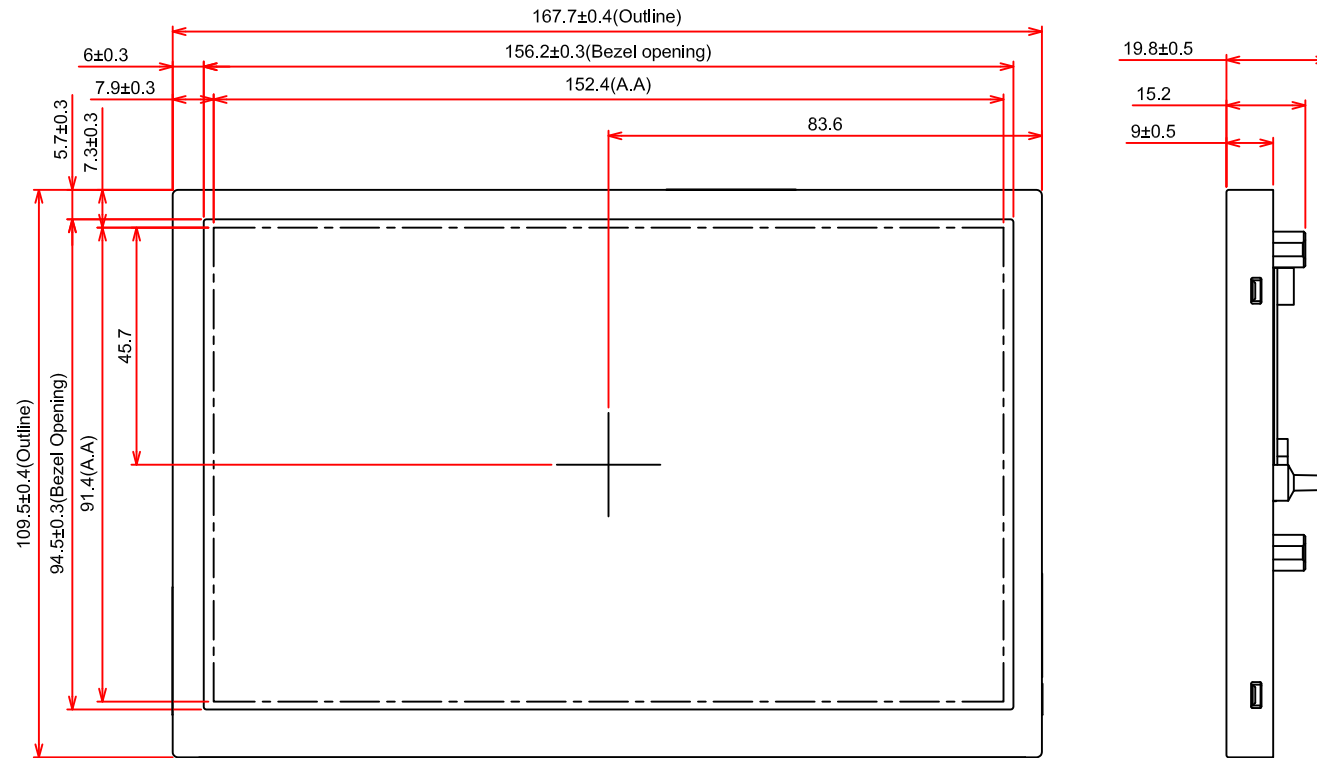
UD : H ; LR : H

9.6 DATA INPUT for DISPLAY COLOR

Input color		Red Data						Green Data						Blue Data					
		R5	R4	R3	R2	R1	R0	G5	G4	G3	G2	G1	G0	B5	B4	B3	B2	B1	B0
		MSB			LSB			MSB			LSB			MSB				LSB	
Basic Color	Black	0	0	0	0	0	0	0	0	0	0	0	0	0	0	0	0	0	0
	Red(63)	1	1	1	1	1	1	0	0	0	0	0	0	0	0	0	0	0	0
	Green(63)	0	0	0	0	0	0	1	1	1	1	1	1	0	0	0	0	0	0
	Blue(63)	0	0	0	0	0	0	0	0	0	0	0	0	1	1	1	1	1	1
	Cyan	0	0	0	0	0	0	1	1	1	1	1	1	1	1	1	1	1	1
	Magenta	1	1	1	1	1	1	0	0	0	0	0	0	1	1	1	1	1	1
	Yellow	1	1	1	1	1	1	1	1	1	1	1	1	0	0	0	0	0	0
	White	1	1	1	1	1	1	1	1	1	1	1	1	1	1	1	1	1	1
Red	Black	0	0	0	0	0	0	0	0	0	0	0	0	0	0	0	0	0	0
	Red (1)	0	0	0	0	0	1	0	0	0	0	0	0	0	0	0	0	0	0
	Red (2)	0	0	0	0	1	0	0	0	0	0	0	0	0	0	0	0	0	0
	:	:	:	:	:	:	:	:	:	:	:	:	:	:	:	:	:	:	:
	:	:	:	:	:	:	:	:	:	:	:	:	:	:	:	:	:	:	:
	Red (62)	1	1	1	1	1	0	0	0	0	0	0	0	0	0	0	0	0	0
	Red (63)	1	1	1	1	1	1	0	0	0	0	0	0	0	0	0	0	0	0
Green	Black	0	0	0	0	0	0	0	0	0	0	0	0	0	0	0	0	0	0
	Green (1)	0	0	0	0	0	0	0	0	0	0	0	1	0	0	0	0	0	0
	Green (2)	0	0	0	0	0	0	0	0	0	0	1	0	0	0	0	0	0	0
	:	:	:	:	:	:	:	:	:	:	:	:	:	:	:	:	:	:	:
	:	:	:	:	:	:	:	:	:	:	:	:	:	:	:	:	:	:	:
	Green (62)	0	0	0	0	0	0	1	1	1	1	1	0	0	0	0	0	0	0
	Green (63)	0	0	0	0	0	0	1	1	1	1	1	1	0	0	0	0	0	0
Blue	Black	0	0	0	0	0	0	0	0	0	0	0	0	0	0	0	0	0	0
	Blue (1)	0	0	0	0	0	0	0	0	0	0	0	0	0	0	0	0	0	1
	Blue (2)	0	0	0	0	0	0	0	0	0	0	0	0	0	0	0	0	1	0
	:	:	:	:	:	:	:	:	:	:	:	:	:	:	:	:	:	:	:
	:	:	:	:	:	:	:	:	:	:	:	:	:	:	:	:	:	:	:
	Blue (62)	0	0	0	0	0	0	0	0	0	0	0	0	1	1	1	1	1	0
	Blue (63)	0	0	0	0	0	0	0	0	0	0	0	0	1	1	1	1	1	1

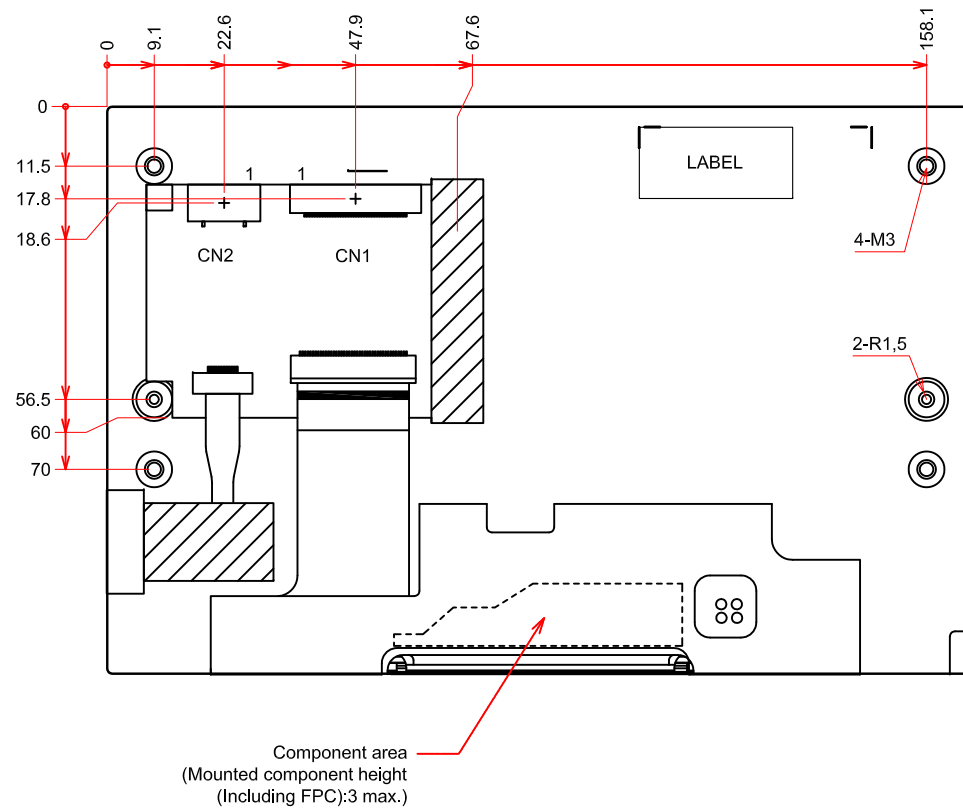
10. OUTLINE DIMENSIONS

10.1 FRONT VIEW



General Tolerance: ± 0.5 mm
Scale : NTS
Unit : mm

10.2 REAR VIEW



General Tolerance:±0.5mm
 Scale : NTS
 Unit : mm

11. APPEARANCE STANDARD

The appearance inspection is performed in a room around 500~1000 lx based on the conditions as below:

- The distance between inspector's eyes and display is 30 cm.
- The viewing zone is defined with angle θ shown in Fig. 11.1 The inspection should be performed within 45° when display is shut down. The inspection should be performed within 5° when display is power on.

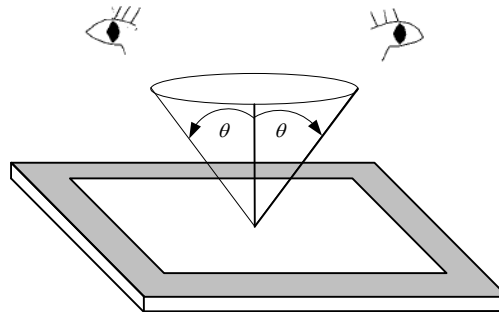


Fig. 11.1

11.1 THE DEFINITION OF LCD ZONE

LCD panel is divided into 2 areas as shown in Fig.11.2 for appearance specification in next section. A zone is the LCD active area (dot area); B zone is the area between A zone and metal frame.

In terms of housing design, B zone is the recommended window area customers' housing should be located in.

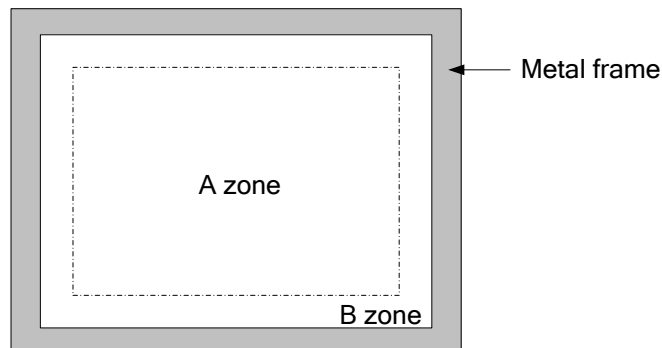


Fig. 11.2

11.2 LCD APPEARANCE SPECIFICATION

The specification as below is defined as the amount of unexpected phenomenon or material in different zones of LCD panel. The definitions of length, width and average diameter using in the table are shown in Fig. 11.3 and Fig. 11.4.

Item	Criteria				Applied zone
	Length (mm)	Width (mm)	Maximum number	Minimum space	
Scratches	Ignored	$W \leq 0.02$	Ignored	-	A,B
	$L \leq 40$	$0.02 < W \leq 0.04$	10	-	
	-	$0.04 < W$	Not allowed	-	
	Round (Dot Shape)				
	Average diameter (mm)		Maximum number	Minimum space	
	$D \leq 0.2$		Ignore	-	
	$D \leq 0.4$		10	-	
	Dent	Serious one is not allowed			
Wrinkles in polarizer	Serious one is not allowed				A
Bubbles on polarizer	Average diameter (mm)		Maximum number		A
	$D \leq 0.3$		Ignored		
	$0.3 < D \leq 0.5$		12		
	$0.5 < D$		Not allowed		
1) Stains 2) Foreign Materials 3) Dark Spot	Filamentous (Line shape)				A,B
	Length (mm)		Width (mm)		
	Ignored		$W \leq 0.02$		
	$L \leq 2.0$		$W \leq 0.03$		
	$L \leq 1.0$		$W \leq 0.06$		
	Round (Dot shape)				A,B
	Average diameter (mm)		Maximum number		
	$D \leq 0.22$		Ignored		
	$0.22 < D \leq 0.33$		5		
	$0.33 < D$		0		
	In total		Filamentous + Round=10		
	Those wiped out easily are acceptable				
	Dot-Defect (Note 1)			Type	Maximum number
Bright dot-defect		1 dot	0		
Dark dot-defect		1 dot	4		
		2 dots	1(sets)		
		In total	4		
In total		4			

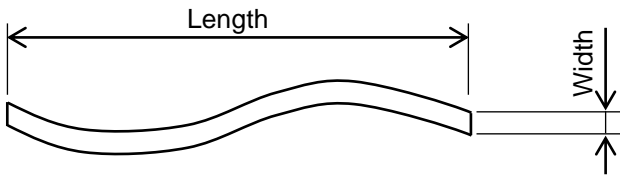


Fig 11.3

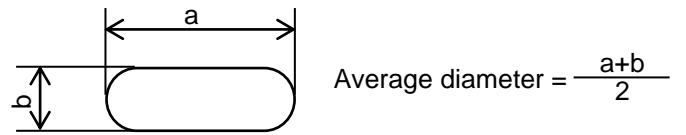


Fig 11.4

Note 1: The definitions of dot defect are as below:

- For bright dot-defect, showing black pattern, visible with 5% ND filter is defined.
- For dark dot-defect, showing white pattern, defect size over 1/2 dot area is defined.
- The definition of 1-dot-defect is the defect-dot, which is isolated and no adjacent defect-dot.
- The definition of adjacent dot is shown as Fig. 11.5.
- The Density of dot defect is defined in the area within diameter $\phi = 10\text{mm}$.

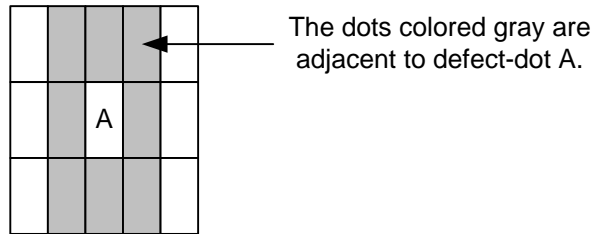


Fig. 11.5

12. PRECAUTIONS

12.1 PRECAUTIONS of ESD

- 1) Before handling the display, please ensure your body has been connected to ground to avoid any damages by ESD. Also, do not touch display's interface directly when assembling.
- 2) Please remove the protection film very slowly before turning on the display to avoid generating ESD.

12.2 PRECAUTIONS of HANDLING

- 1) In order to keep the appearance of display in good condition; please do not rub any surfaces of the displays by sharp tools harder than 3H, especially touch panel, metal frame and polarizer.
- 2) Please do not pile the displays in order to avoid any scars leaving on the display. In order to avoid any injuries, please pay more attention for the edges of glasses and metal frame, and wear finger cots to protect yourself and the display before working on it.
- 3) Touching the display area or the terminal pins with bare hand is prohibited. This is because it will stain the display area and cause poor insulation between terminal pins, and might affect display's electrical characteristics furthermore.
- 4) Do not use any harmful chemicals such as acetone, toluene, and isopropyl alcohol to clean display's surfaces.
- 5) Please use soft cloth or absorbent cotton with ethanol to clean the display by gently wiping. Moreover, when wiping the display, please wipe it by horizontal or vertical direction instead of circling to prevent leaving scars on the display's surface, especially polarizer.
- 6) Please wipe any unknown liquids immediately such as saliva, water or dew on the display to avoid color fading or any permanently damages.
- 7) Maximum pressure to the surface of the display must be less than 1.96×10^4 Pa. If the area of adding pressure is less than 1 cm^2 , the maximum pressure must be less than 1.96N.

12.3 PRECAUTIONS of OPERATING

- 1) Please input signals and voltages to the displays according to the values defined in the section of electrical characteristics to obtain the best performance. Any voltages over than absolute maximum rating will cause permanent damages to this display. Also, any timing of the signals out of this specification would cause unexpected performance.
- 2) When the display is operating at significant low temperature, the response time will be slower than it at 25C° . In high temperature, the color will be slightly dark and blue compared to original pattern. However, these are temperature-related phenomenon of LCD and it will not cause permanent damages to the display when used within the operating temperature.
- 3) The use of screen saver or sleep mode is recommended when static images are likely for long periods of time. This is to avoid the possibility of image sticking.
- 4) Spike noise can cause malfunction of the circuit. The recommended limitation of spike noise is no bigger than $\pm 100 \text{ mV}$.

12.4 PRECAUTIONS of STORAGE

If the displays are going to be stored for years, please be aware the following notices.

- 1) Please store the displays in a dark room to avoid any damages from sunlight and other sources of UV light.
- 2) The recommended long-term storage temperature is between 10 C° ~35 C° and 55%~75% humidity to avoid causing bubbles between polarizer and LCD glasses, and polarizer peeling from LCD glasses.
- 3) It would be better to keep the displays in the container, which is shipped from JDI, and do not unpack it.
- 4) Please do not stick any labels on the display surface for a long time, especially on the polarizer.

12.5 PRECAUTIONS of IMAGE STICKING

- 1) Do not display the fixed image or very frequently repeated clips in a long period of time, it may cause image sticking on display. Even a video of several minutes, which is played in a loop, is considered as repetitive.
- 2) Screensaver or power saving mode is recommended to avoid image sticking effectively. Using moving images, scrolling text and alternating a fixed image with a moving image, are the ideal ways to reduce the possibility of image sticking.
- 3) Additionally, it is important to avoid using static bars at image boundaries. Typically, such bars are a result of difference in aspect ratio (e.g., playing 4:3 content on a 16:9 display).

13. DESIGNATION of LOT MARK

1) The lot mark is showing in Fig.13.1. First 4 digits are used to represent production lot, T represented made in Taiwan, and the last 6 digits are the serial number.

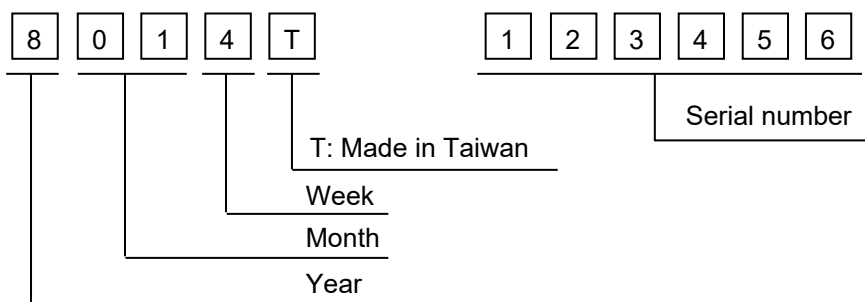


Fig. 13.1

2) The tables as below are showing what the first 4 digits of lot mark are shorted for.

Year	Lot Mark
2018	8
2019	9
2020	0
2021	1
2022	2

Month	Lot Mark	Month	Lot Mark
Jan.	01	Jul.	07
Feb.	02	Aug.	08
Mar.	03	Sep.	09
Apr.	04	Oct.	10
May	05	Nov.	11
Jun.	06	Dec.	12

Week	Lot Mark
1~7 days	1
8~14 days	2
15~21 days	3
22~28 days	4
29~31 days	5

3) Except letters I and O, revision number will be shown on lot mark and following letters A to Z.

REV.No	ITEM	REMARKS
A	-	-
A	Connector (CN1) changed	PCN 1097

4) The location of the lot mark is on the back of the display shown in Fig. 13.2.

Label example :

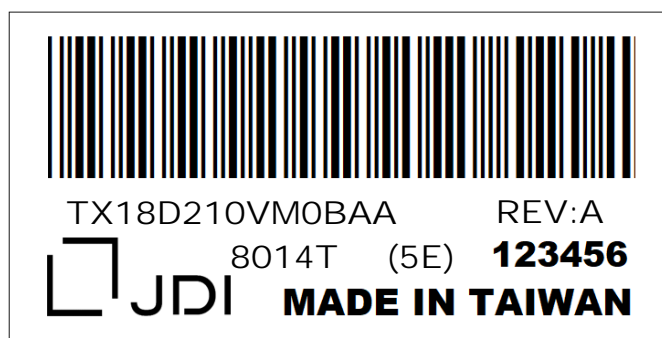


Fig. 13.2